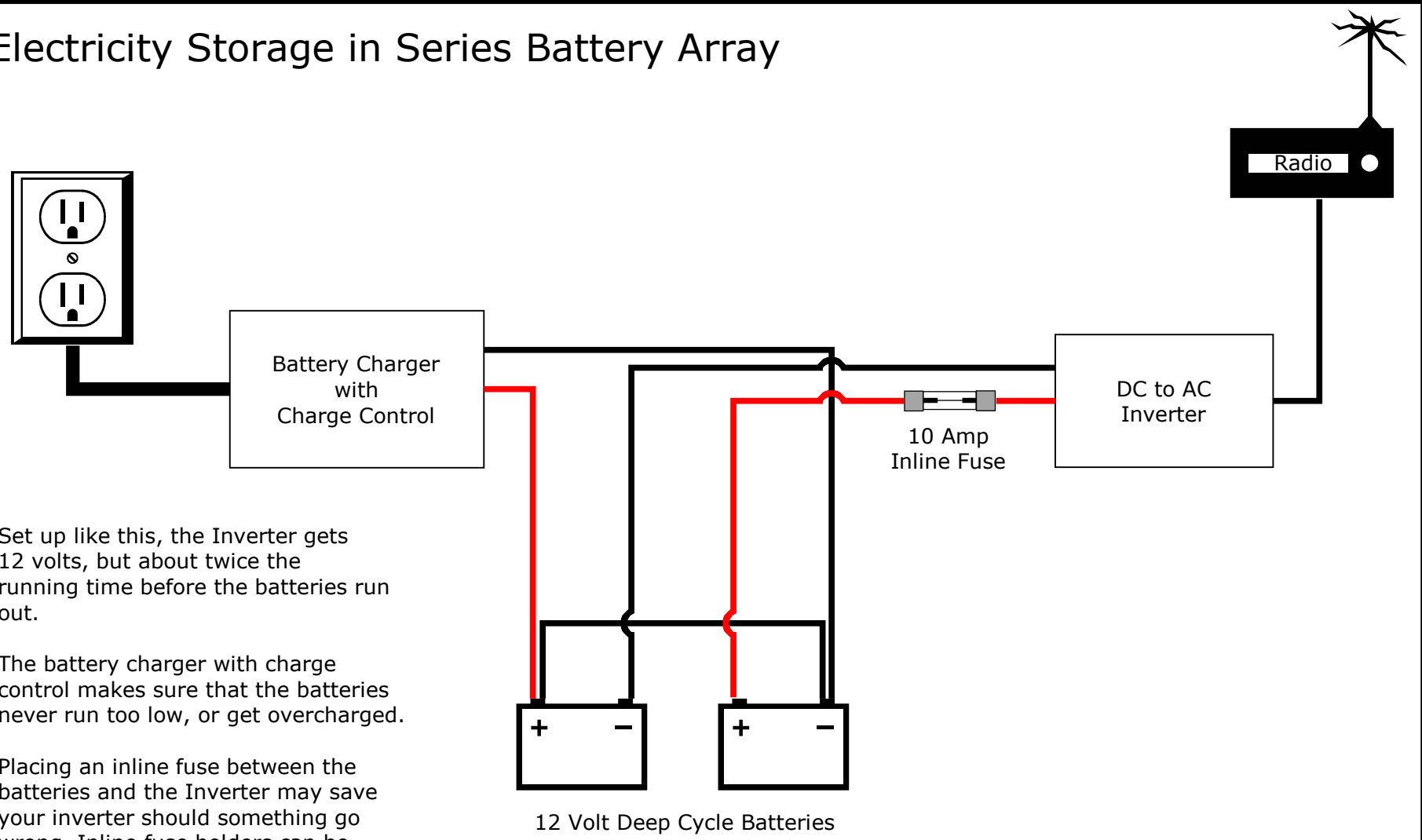


Electricity Storage in Series Battery Array



Set up like this, the Inverter gets 12 volts, but about twice the running time before the batteries run out.

The battery charger with charge control makes sure that the batteries never run too low, or get overcharged.

Placing an inline fuse between the batteries and the Inverter may save your inverter should something go wrong. Inline fuse holders can be bought at any auto parts store.

TITLE	Electricity Storage in Series Battery Array		
AUTHOR	Guy McDowell		
DATE	4 July 2010	SHEET	1 OF 1
REVISION	0.0		