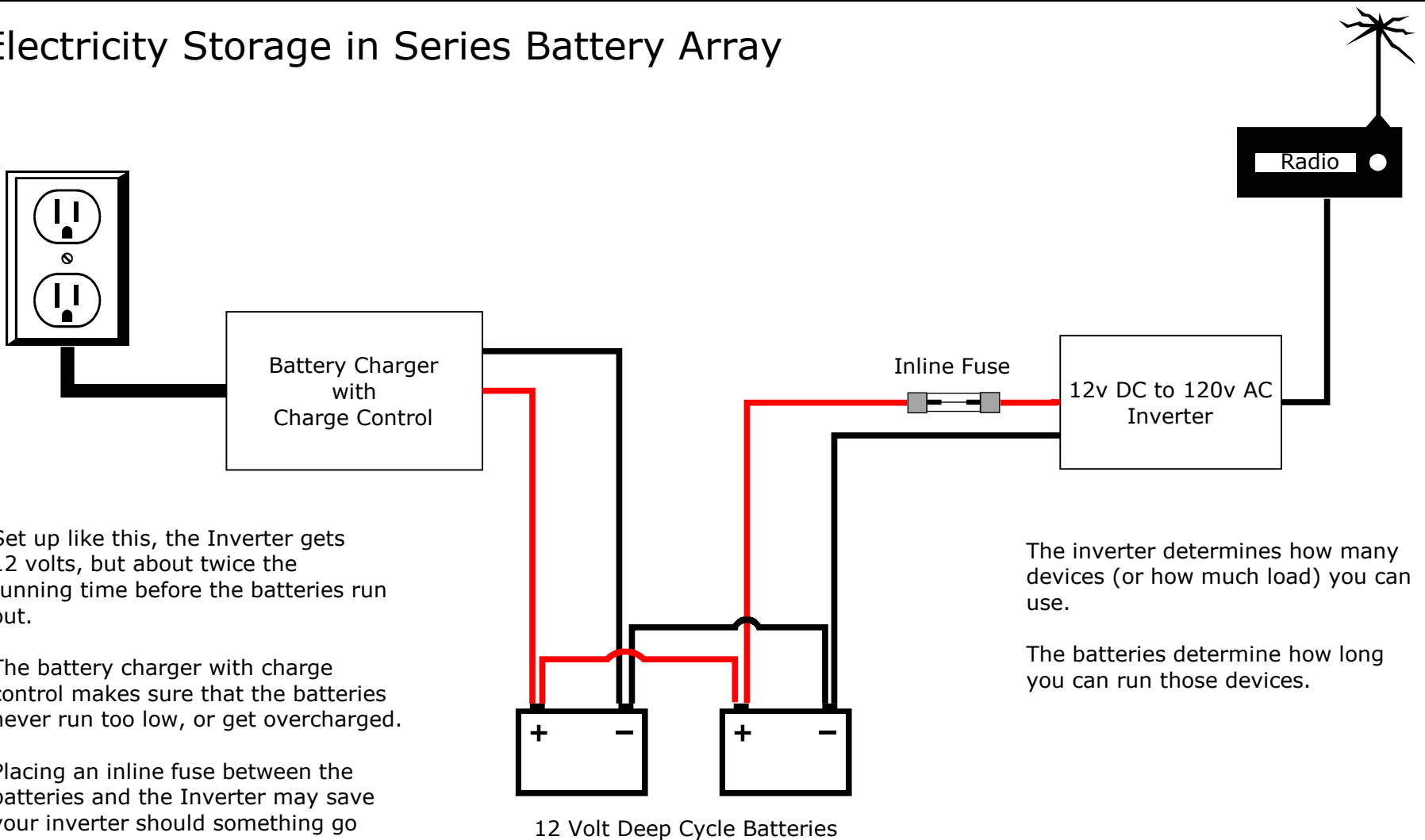


Electricity Storage in Series Battery Array



Set up like this, the Inverter gets 12 volts, but about twice the running time before the batteries run out.

The battery charger with charge control makes sure that the batteries never run too low, or get overcharged.

Placing an inline fuse between the batteries and the Inverter may save your inverter should something go wrong. Inline fuse holders can be bought at any auto parts store.

The inverter determines how many devices (or how much load) you can use.

The batteries determine how long you can run those devices.

TITLE	Electricity Storage in a Parallel Battery Array			
AUTHOR	Guy McDowell			
DATE	18 Dec 2010	SHEET	1 OF	1
REVISION	1.0			